

VersiControl Smart System Plus - J1939

INSTALLATION INSTRUCTIONS

Part#: 2300X-KKKK-00-01

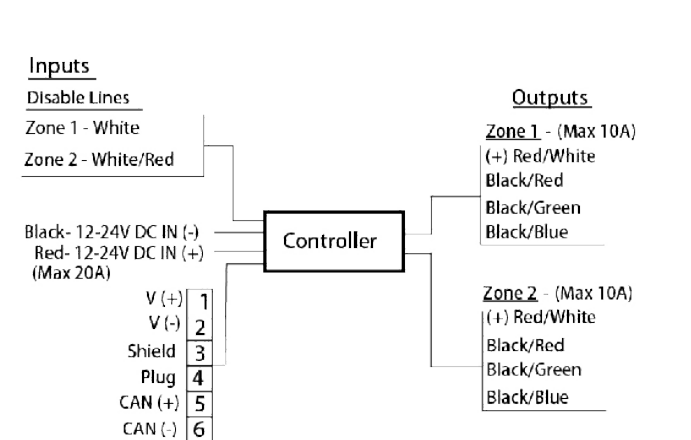
Safety Instructions

- Disconnect power before installing, adding or changing any component.
- To avoid a hazard to children, account for all parts and destroy all packing materials.
- Do not install any luminaire assembly closer than 6" from any combustible materials.
- Positive (+) outputs require a fuse if the attached wire leads are not rated to handle the max current.
- This device complies with part 15 of the FCC rules. Operation is subject to the following two conditions:
 - This device may not cause harmful interference
 - This device must accept any interferences received, including interference that may cause undesired operation

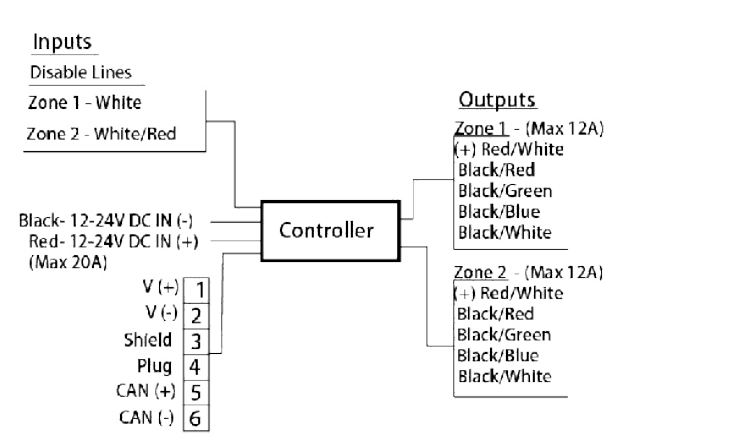
Mating Connectors

J1939	Power Wires	RGB Wires	RGBW Wires	Addressable Wires
DTM04-6P	DTP06-2S	DT04-4P	DT04-6P	DT04-3P

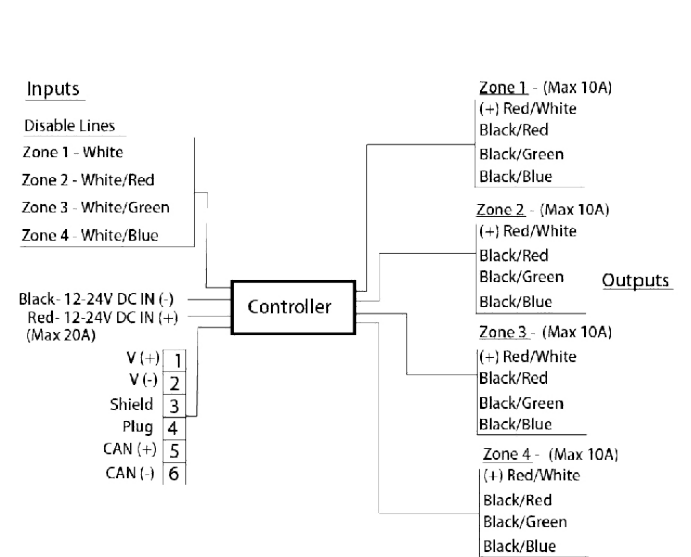
WIRING DIAGRAMS: Follow the wiring diagram below to wire the module to your system. Note: Maximum replacement fuse size is 20 amps.



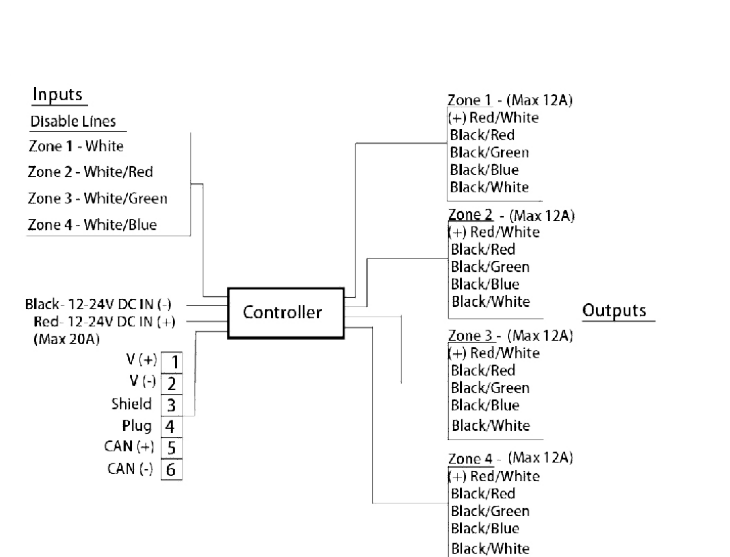
23002-RGB-00-01 - Standard Two-Zone RGB



23002-RGBW-00-01 - Standard Two Zone RGBW



23004-RGB-00-01 - Standard Four Zone RGB



23004-RGBW-00-01 - Standard Four Zone RGBW



3030 Corporate Grove Dr.
Hudsonville, MI 49426
Phone: 616.396.1355
itc-us.com

For warranty information please visit www.itc-us.com/warranty-return-policy
Rev A · 07/16/24

Inputs

Disable Lines

- Zone 1 - White
- Zone 2 - White/Red
- Zone 3 - White/Green
- Zone 4 - White/Blue

Inputs

- Black- 12-24V DC IN (-)
- Red- 12-24V DC IN (+)
- (Max 20A)

- V(+) 1
- V (-) 2
- Shield 3
- Plug 4
- CAN(+) 5
- CAN(-) 6

Controller

Outputs

Zone 1 - (Max 10A)

- (+) Red/White
- Black/Red
- Black/Green
- Black/Blue

Zone 2 - (Max 10A)

- (+) Red/White
- Black/Red
- Black/Green
- Black/Blue

- Zone 3
- (+) Red
- Orange
- (-) Black

- Zone 4
- (+) Red
- Orange
- (-) Black

Inputs

Disable Lines

- Zone 1 - White
- Zone 2 - White/Red
- Zone 3 - White/Green
- Zone 4 - White/Blue

Inputs

- Black- 12-24V DC IN (-)
- Red- 12-24V DC IN (+)
- (Max 20A)

- V(+) 1
- V (-) 2
- Shield 3
- Plug 4
- CAN(+) 5
- CAN(-) 6

Controller

Outputs

Zone 1 - (Max 12A)

- (+) Red/White
- Black/Red
- Black/Green
- Black/Blue
- Black/White

Zone 2 - (Max 12A)

- (+) Red/White
- Black/Red
- Black/Green
- Black/Blue
- Black/White

- Zone 3
- (+) Red
- Orange
- (-) Black

- Zone 4
- (+) Red
- Orange
- (-) Black

23022-RGB-00-01 - Two Standard RGB/Two Addressable

23022-RGBW-00-01 - Two Standard RGBW/Two Addressable

Inputs

Disable Lines

- Zone 1 - White
- Zone 2 - White/Red
- Zone 3 - White/Green
- Zone 4 - White/Blue

Inputs

- Black- 12-24V DC IN (-)
- Red- 12-24V DC IN (+)
- (Max 20A)

- V(+) 1
- V (-) 2
- Shield 3
- Plug 4
- CAN(+) 5
- CAN(-) 6

Controller

Outputs

Zone 1 - (Max 10A)

- (+) Red/White
- Black/Red
- Black/Green
- Black/Blue

Zone 2

- (+) Red
- Orange
- (-) Black

Zone 3

- (+) Red
- Orange
- (-) Black

Zone 4

- (+) Red
- Orange
- (-) Black

Inputs

Disable Lines

- Zone 1 - White
- Zone 2 - White/Red
- Zone 3 - White/Green
- Zone 4 - White/Blue

Inputs

- Black- 12-24V DC IN (-)
- Red- 12-24V DC IN (+)
- (Max 20A)

- V(+) 1
- V (-) 2
- Shield 3
- Plug 4
- CAN(+) 5
- CAN(-) 6

Controller

Outputs

Zone 1 - (Max 12A)

- (+) Red/White
- Black/Red
- Black/Green
- Black/Blue
- Black/White

Zone 2

- (+) Red
- Orange
- (-) Black

Zone 3

- (+) Red
- Orange
- (-) Black

Zone 4

- (+) Red
- Orange
- (-) Black

23031-RGB-00-01 - One Standard RGB/Three Addressable

23031-RGBW-00-01 - One Standard RGBW/Three Addressable

Inputs

Disable Lines

- Zone 1 - White
- Zone 2 - White/Red
- Zone 3 - White/Green
- Zone 4 - White/Blue

Inputs

- Black- 12-24V DC IN (-)
- Red- 12-24V DC IN (+)
- (Max 20A)

- V(+) 1
- V (-) 2
- Shield 3
- Plug 4
- CAN(+) 5
- CAN(-) 6

Controller

Outputs

Zone 1

- (+) Red
- Orange
- (-) Black

Zone 2

- (+) Red
- Orange
- (-) Black

Zone 3

- (+) Red
- Orange
- (-) Black

Zone 4

- (+) Red
- Orange
- (-) Black

23004-RGBW-00-01 - Four Addressable Zones



3030 Corporate Grove Dr.
Hudsonville, MI 49426
Phone: 616.396.1355

itc-us.com

For warranty information please visit www.itc-us.com/warranty-return-policy
Rev A · 07/16/24