

VersiControl Smart System Plus - NMEA

Part#: 2300X-KKKK-NM-01

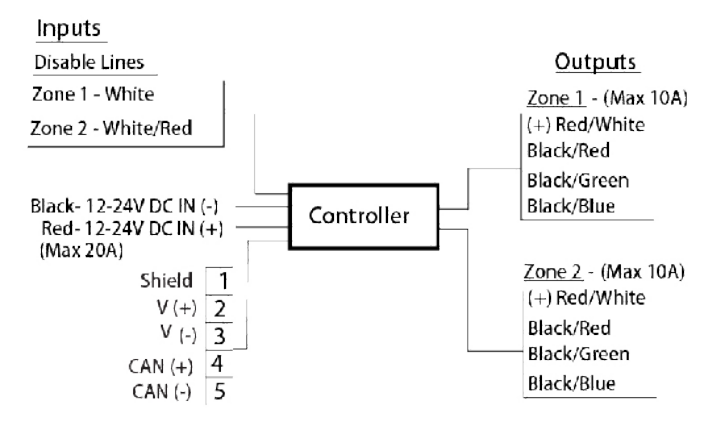
Safety Instructions

- Disconnect power before installing, adding or changing any component.
- To avoid a hazard to children, account for all parts and destroy all packing materials.
- Do not install any luminaire assembly closer than 6" from any combustible materials.
- Positive (+) outputs require a fuse if the attached wire leads are not rated to handle the max current.
- This device complies with part 15 of the FCC rules. Operation is subject to the following two conditions:
 - This device may not cause harmful interference
 - This device must accept any interferences received, including interference that may cause undesired operation

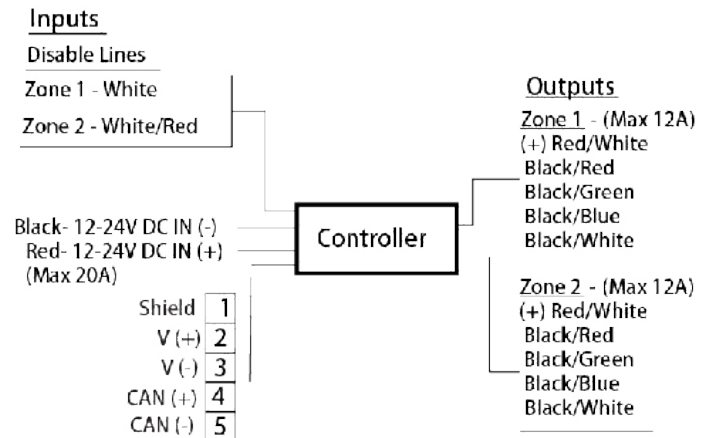
Mating Connectors

NMEA	Power Wires	RGB Wires	RGBW Wires	Addressable Wires
NMEA 2000 Female	DTP06-2S	DT04-4P	DT04-6P	DT04-3P

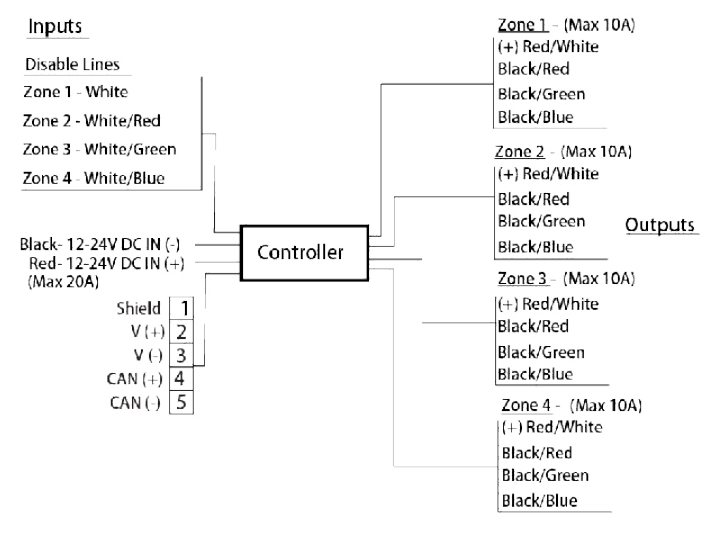
WIRING DIAGRAMS: Follow the wiring diagram below to wire the module to your system. Note: Maximum replacement fuse size is 20 amps.



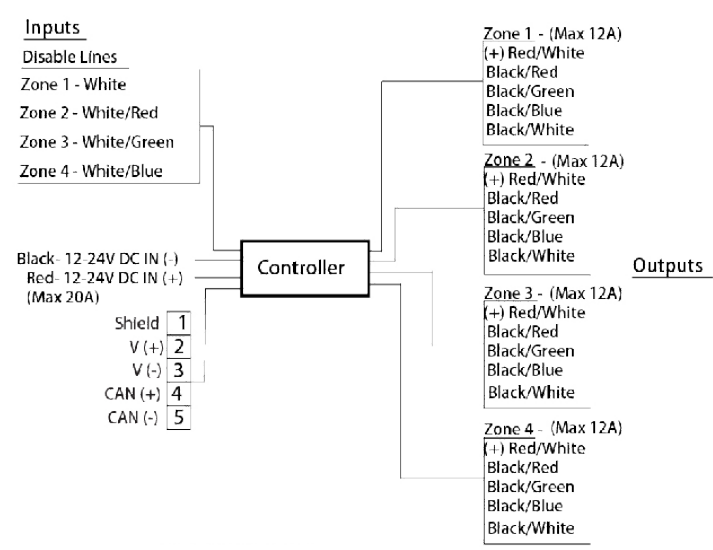
23002-RGB-NM-01 - Two Standard RGB Zones



23002-RGBW-NM-01 - Two Standard RGBW Zones



23004-RGB-NM-01 - Four Standard RGB Zones

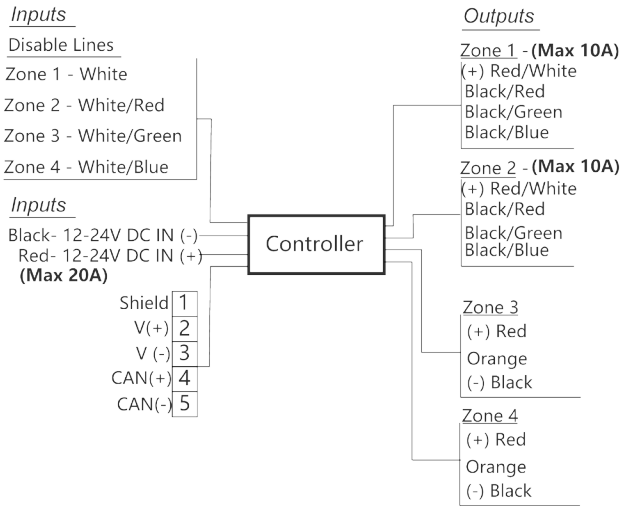


23004-RGBW-NM-01 - Four Standard RGBW Zones

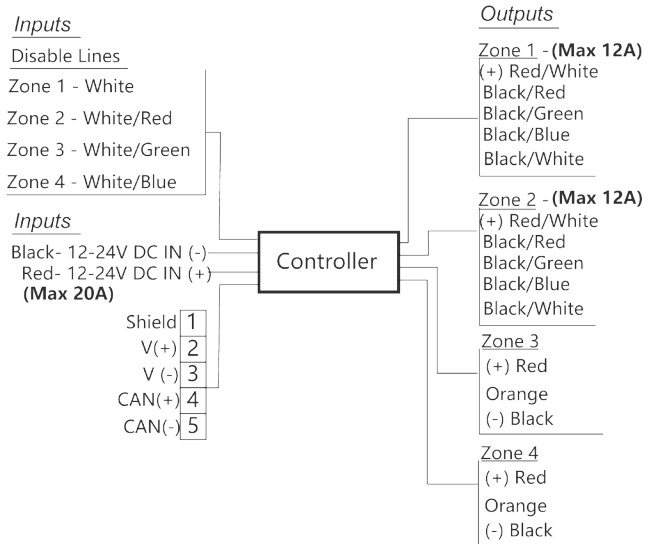


3030 Corporate Grove Dr.
 Hudsonville, MI 49426
 Phone: 616.396.1355
itc-us.com

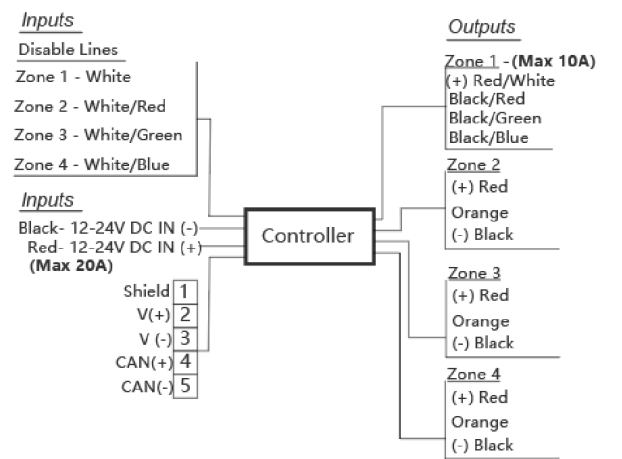
For warranty information please visit www.itc-us.com/warranty-return-policy
 Rev A - 07/22/24



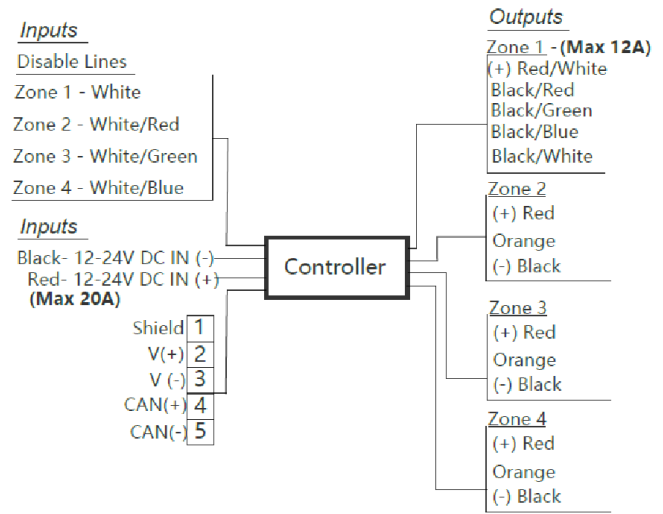
23022-RGB-NM-01 - Two Standard RGB/Two Addressable



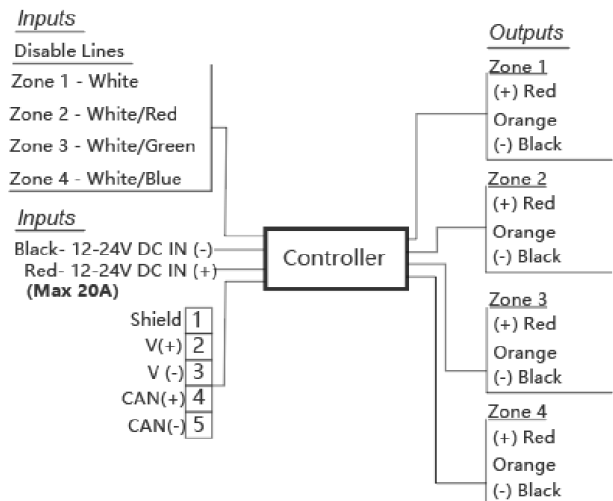
23022-RGBW-NM-01 - Two Standard RGBW/Two Addressable



23031-RGB-NM-01 - One Standard RGB/Three Addressable



23031-RGBW-NM-01 - One Standard RGBW/Three Addressable



23040-RGBW-NM-01 - Four Addressable Zones

