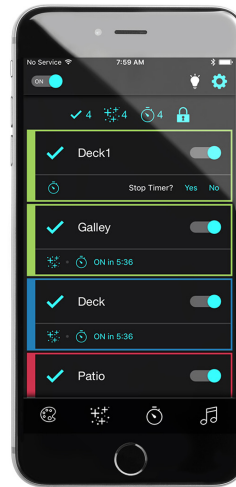


VersiControl™

RGB/RGBW Smart System Plus

Product Overview

- First NMEA 2000 certified RGB controller
- True RGB/RGBW controller for a virtually unlimited color palette
- Available with J1939 or NMEA 2K Network
- The VersiControl system can be used as a stand alone product or integrated into the digital dash via a CAN Bus system or NMEA 2K network
- The smart system allows the user to independently control two or four zones of lighting through either the pad controller or phone app
- Intuitive operation and easy visuals make controlling the lights functional and fun
- The pad controller allows for adjustment of the color, brightness or color fades on each zone, while the app provides even more control and customization features
- Software updates available through the ITC app
- Small footprint and aesthetics of the pad controller integrate with dash and radio controls
- IP66 water resistant rating



Product Details

	4 Zone Control Module	2 Zone Control Module	Pad Controller (J1939 only)
Housing Material	Steel Reinforced Plastic		Plastic
Voltage	12 - 24V DC		10 - 28V DC
Current*	20A Max ¹ RGB: 10A per zone max ² RGBW: 12A per zone max	20A Max ¹ RGB: 10A per zone max ² RGBW: 12A per zone max	0.5A Max
Remote Distance	100FT		N/A
Bluetooth Verison	Bluetooth 4.0 BLE (Operating system: IOS 10.0 / Android 5.0 or greater)		N/A
IP Rating	IP66		
UV Stable	Yes		
Operating Temp.	-4°F - 122°F		

1 Always fuse the zone output line if wiring and load cannot handle the maximum current of 20 amps if a short occurs.

2 An additional 18A can be gained through the use of the ITC RGB amplifier, part #21080-18

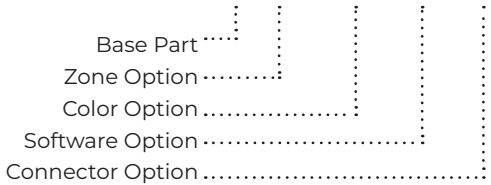
3 EMC : FCC Part 15 Class B

4 NMEA 2000 - J1939 or NMEA 2K Communication Standard



Specification Guide

Sample Part #: 23002-RGB-NM-01

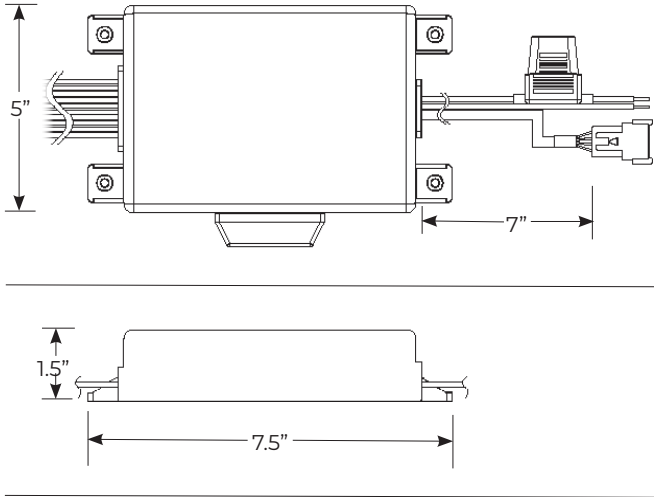


Base Part #	Zone Option	Color Option	Software Option	Connector Option
2300	2 - 2 Zone 4 - 4 Zone	RGB - RGB RGBW - RGBW	00 - J1939 NM - N2K Lighting PGN Compatible*	00 - W/O DT Connectors 01 - W/ DT Connectors
Screw Mount Pad Controller**: 21055 : RGB 4 Zone Pad Controller 21055-2Z : RGB 2 Zone Pad Controller		Spring Mount Pad Controller**: 21057 : RGB 4 Zone Pad Controller 21057-2Z : RGB 2 Zone Pad Controller *Works with 1/8" mounting surface		

*The NM version is also compatible with the ITC proprietary PGNs.
 **The pad controller can only be used with the J1939 protocols

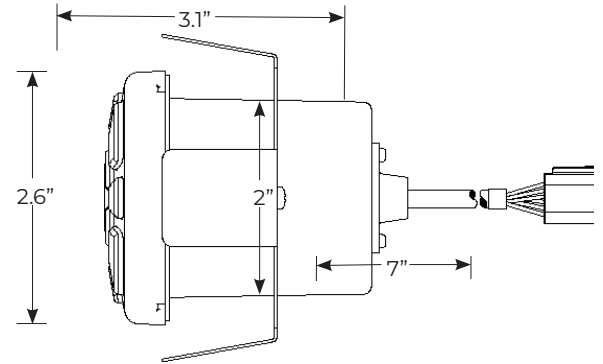
Control Module Key Features & Dimensions

- Custom programming available for brand differentiation (contact ITC for more information)
- Disabling zones one and two when the unit is in motion
- Bluetooth and CAN Bus controlled
- Smart FET protection and replaceable fusing on return lines
- Individual microcontroller per zone and master micro ensures consistent light output between all zones
- Simple dip switch controls allow for easy customization including:
 - Setting the system to power up in either the on or off state
 - Password reset back up
 - Enable/disable Bluetooth function & antenna

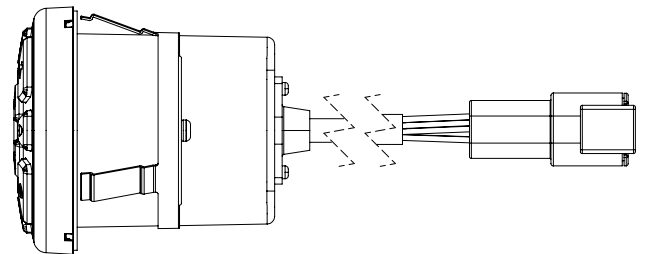


Control Pad Key Features & Dimensions

- Control the color, color fade and brightness of each zone independently or together
- Illuminated pad keys provide better visual control in low light levels
- Quick white button for convenience, security and safety
- Manual Bluetooth pass code reset
- The control pad can only be used with the J1939 protocol controllers



Screw mount version



Spring mount version

Phone App Key Features

- Provides all the same control features of the control pad including, color, color fade, brightness and quick white
- Additional control features available on the app include:
 - Camera color selection
 - Set personal custom color effects
 - On/Off timer
 - Individual zone lock-out
 - Personal pass code security
 - Music beats

