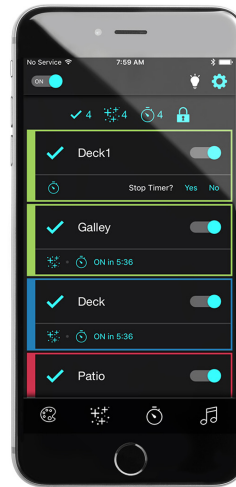


# VersiControl™

## RGB(W) Smart System Plus

### Product Overview

- True RGB(W) controller for a virtually unlimited color palette
- Available with J1939, NMEA 2K or RV-C network
- Can be used as a stand alone product or integrated via a CAN Bus system
- Various independent zone combinations for RGB, RGBW, or addressable control
- Addressable zones are powered externally and use a digital signal which draws minimal current
- Total control of two or four-zone systems using pad controller or phone app
- Intuitive operation and easy visuals make controlling the lights functional and fun
- Software updates available through the ITC app
- Small footprint and aesthetics of the pad controller integrate with dash and radio controls
- IP66 water resistant rating



\*Patent Pending



### Product Details

	Control Module	Pad Controller (J1939 only)
Housing Material	Steel Reinforced Plastic	Plastic
Voltage	12 - 24V DC	10 - 28V DC
Current*	20A Max <sup>1</sup> RGB: 10A per zone max <sup>2</sup> RGBW: 12A per zone max	0.5A Max
Remote Distance	100FT	N/A
Bluetooth Verison	Bluetooth 4.0 BLE (Operating system: IOS 10.0 / Android 5.0 or greater)	N/A
IP Rating	IP66	
UV Stable	Yes	
Operating Temp.	-4°F - 122°F	

1 Always fuse the zone output line if wiring and load cannot handle the maximum current of 20 amps if a short occurs.

2 An additional 18A can be gained through the use of the ITC RGB amplifier, part #21080-18

3 EMC : FCC Part 15 Class B

4 NMEA 2000 - J1939 or NMEA 2K Communication Standard

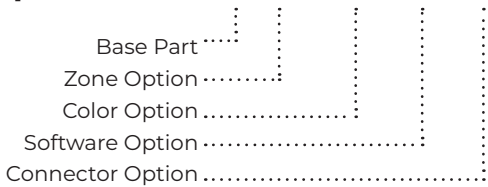


3030 Corporate Grove Dr.  
Hudsonville, MI 49426  
Phone: 616.396.1355  
[itc-us.com](http://itc-us.com)

REV: 071124

Specification Guide

Sample Part #: 23002-RGB-NM-01



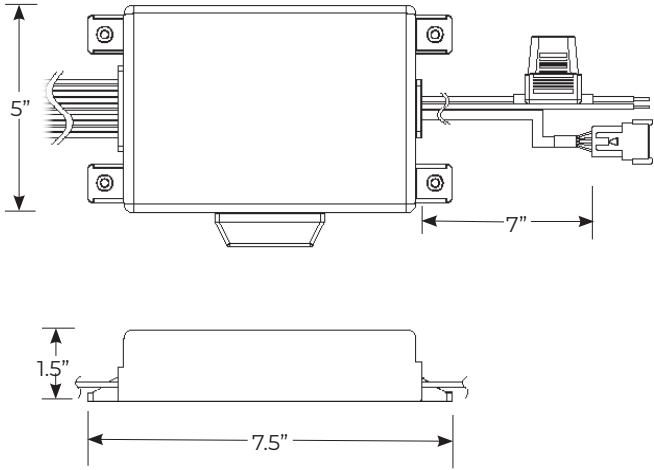
Base Part #	Zone Options	Color Option	Software Option	Connector Option
230	02 - Two Standard Zones 04 - Four Standard Zones 22 - Two Addressable/Two Standard Zones 31 - Three Addressable/One Standard Zone 40 - Four Addressable Zones	RGB - RGB RGBW - RGBW	00 - J1939 NM - N2K Lighting PGN Compatible* RV - RV-C	00 - W/O DT Connectors 01 - W/ DT Connectors
<b>Screw Mount Pad Controller**:</b> <b>21055</b> : RGB 4 Zone Pad Controller <b>21055-2Z</b> : RGB 2 Zone Pad Controller		<b>Spring Mount Pad Controller**:</b> <b>21057</b> : RGB 4 Zone Pad Controller <b>21057-2Z</b> : RGB 2 Zone Pad Controller *Works with 1/8" mounting surface		

\*The NM version is also compatible with the ITC proprietary PGNs.

\*\*The pad controller can only be used with the J1939 protocols

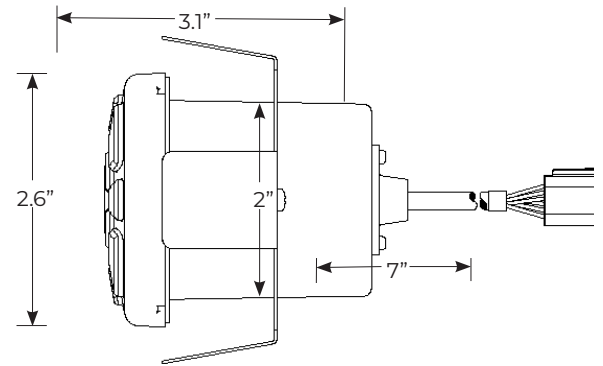
Control Module Key Features & Dimensions

- Custom programming available for brand differentiation (contact ITC for more information)
- Disabling zones one and two when the unit is in motion
- Bluetooth and CAN Bus controlled
- Smart FET protection and replaceable fusing on return lines
- Individual microcontroller per zone and master micro ensures consistent light output between all zones
- Simple dip switch controls allow for easy customization including:
  - Setting the system to power up in either the on or off state
  - Password reset back up
  - Enable/disable Bluetooth function & antenna

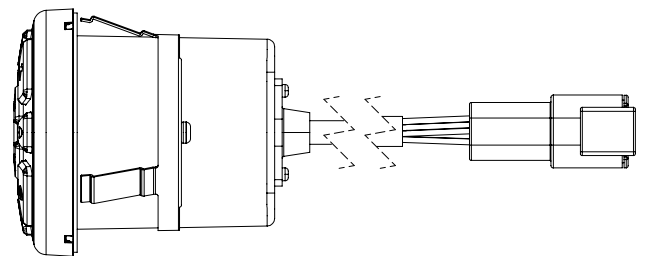


## Control Pad Key Features & Dimensions

- Control the color, color fade and brightness of each zone independently or together
- Illuminated pad keys provide better visual control in low light levels
- Quick white button for convenience, security and safety
- Manual Bluetooth pass code reset
- The control pad can only be used with the J1939 protocol controllers



Screw mount version



Spring mount version

## Phone App Key Features

- Provides all the same control features of the control pad including, color, color fade, brightness and quick white
- Additional control features available on the app include:
  - Camera color selection
  - Set personal custom color effects
  - On/Off timer
  - Individual zone lock-out
  - Personal pass code security
  - Music beats

