

MAX™ Magnetic Wireless Charger



Features

- Shallow depth allows space for most phone cameras
- Small diameter, surface-mount design for versatile applications
- Magnet securely holds the phone in place while charging
- Meets all wireless charging safety standards
- Up to 15W of charging capacity depending on phone limitations
- A certified MagSafe® charging case or ESR HaloLock™ case is recommended for best magnetic performance*

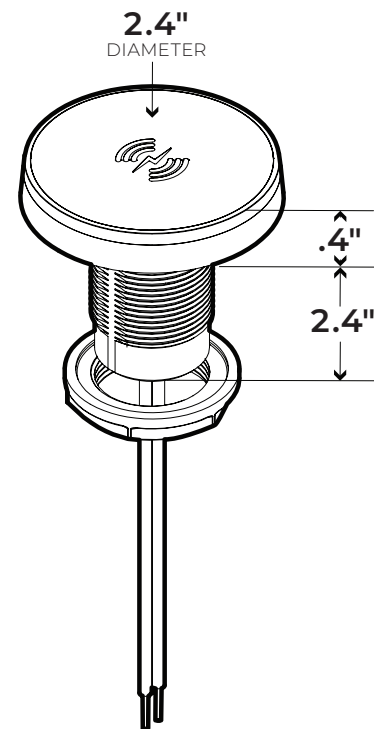
Product Details

Housing Material	Black Polycarbonate
Voltage	10-30V DC
Max Charging Capacity	15W**
Max Power Draw	1.4A / 19W
Standby Current	0.08A
Cutout Dimension	1½" Dia.
IP Rating	IP66
UV Stable	Yes
Operating Temp	40°F to +95°F

** Dependent on phone requirements

Specification Guide

Part #	Description
ICM-01-F	Surface Mount Magnetic Charger



* Cases should have magnets or ferrous metal on the back surface of the case. Ferrous metals behind a case or the phone's magnetic ring alone will not hold properly.

